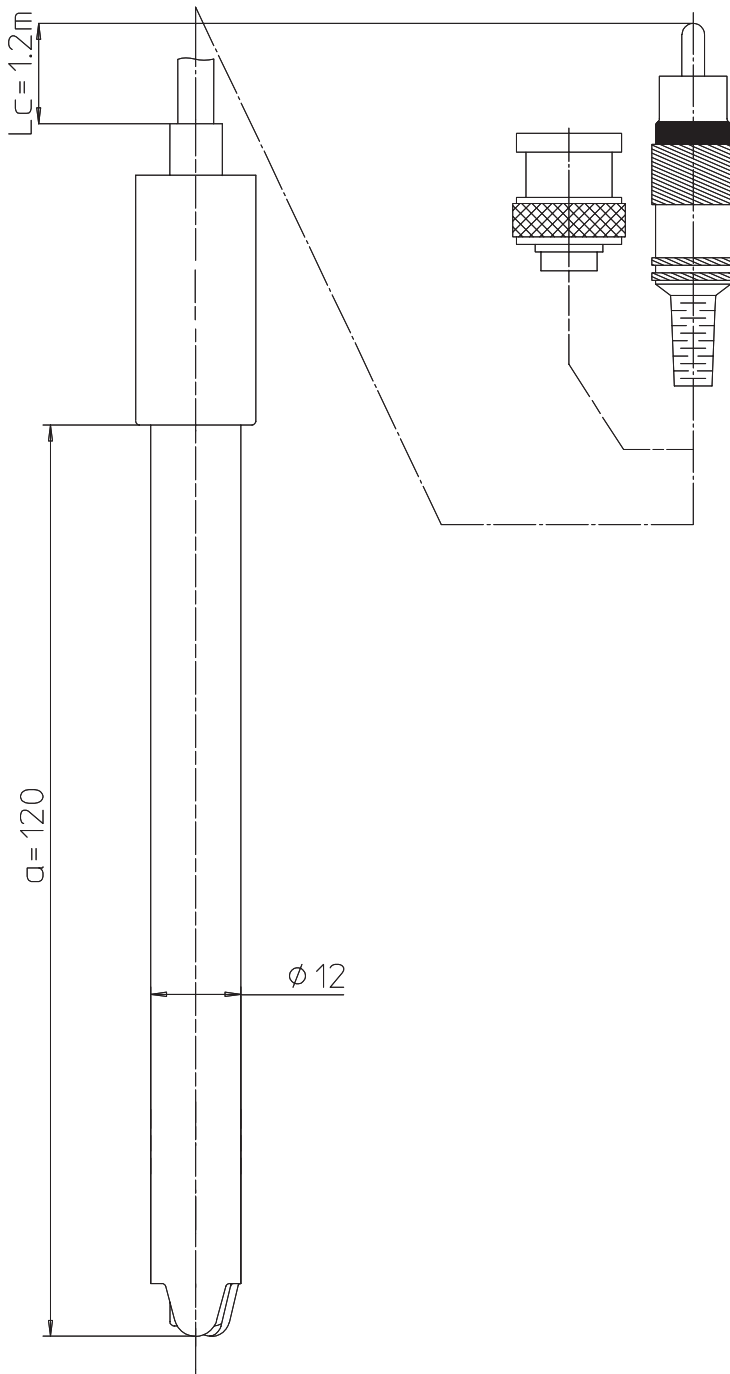


LE438**(3-in-1)****pH**

Scale 1:1

Order number 51340242

former order number -

Specifications

pH range 0 - 14

zero point (pH) 7.00 ± 0.25

temperature range 0 - 80 °C

temperature probe NTC 30 k Ω

shaft material epoxy

membrane glass U

membrane resistance < 800 M Ω

reference system Ag / AgCl

reference diaphragm ceramic

reference electrolyte gel

bridge electrolyte -

electrode head -

cable length 1.2 m

connector BNC / Cinch

cell constant (cm⁻¹) -

cell type -

indicating metal -

Storage3 mol/L KCl,
AgCl saturated**Special features**Unbreakable, chemically resistant POM shaft
integrated NTC 30 k Ω temperature probe