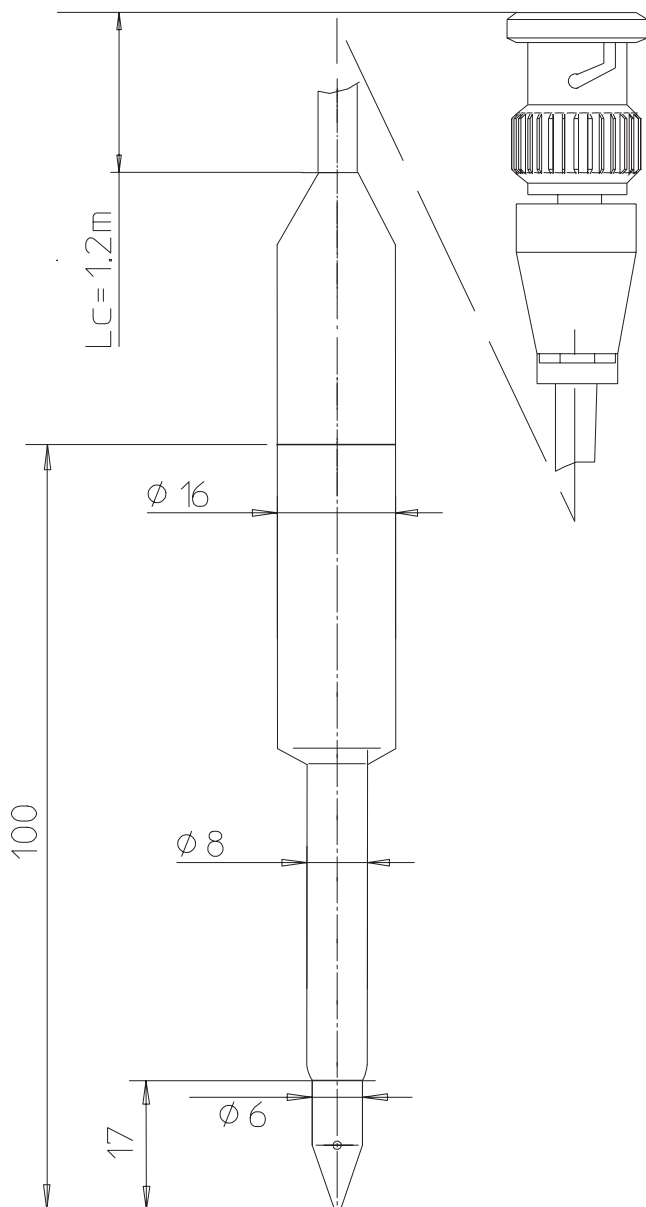


LE427**2-in-1****pH****Order number** 51340333

former order number -

Specifications

pH range 1 - 11

zero point (pH) 7.00 ± 0.25

temperature range 0 - 50 °C

temperature probe -

shaft material Glass

membrane glass LoT

membrane resistance < 250 MΩ

reference system Ag / AgCl

reference diaphragm Ceramic

reference electrolyte DPA gel

bridge electrolyte -

electrode head LE cap

cable length 1.2 m

connector BNC

cell constant (cm⁻¹) -

cell type -

indicating metal -

Storage 3 mol/L KCl**Special features**

plastic coated shaft for protection and increased stability

Scale 1:1