



## Duo 3/M

Dual-stage rotary vane pumps with a pumping speed up to 2.9 m<sup>3</sup>/h:

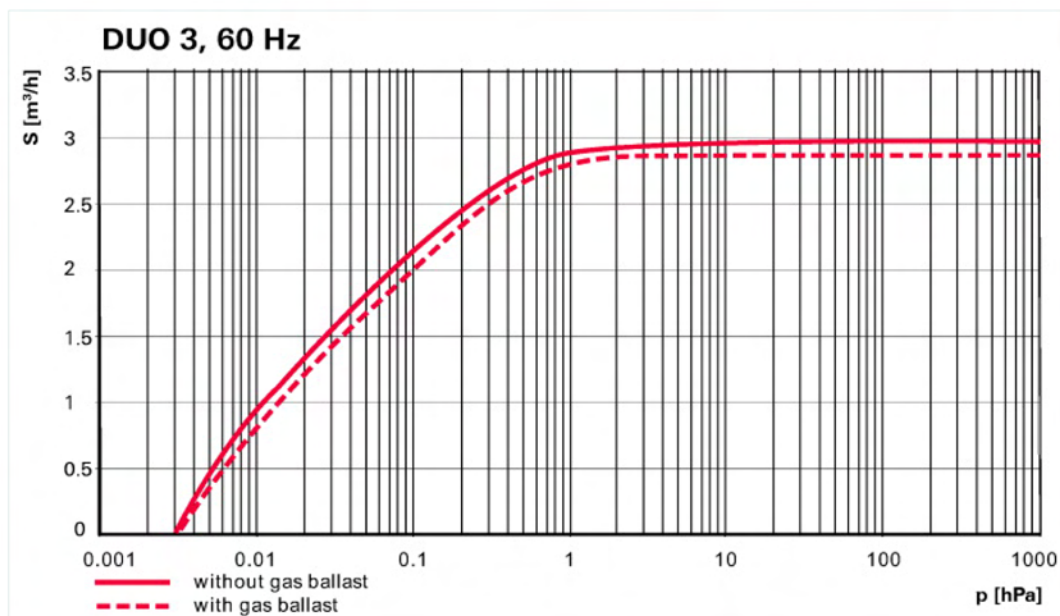
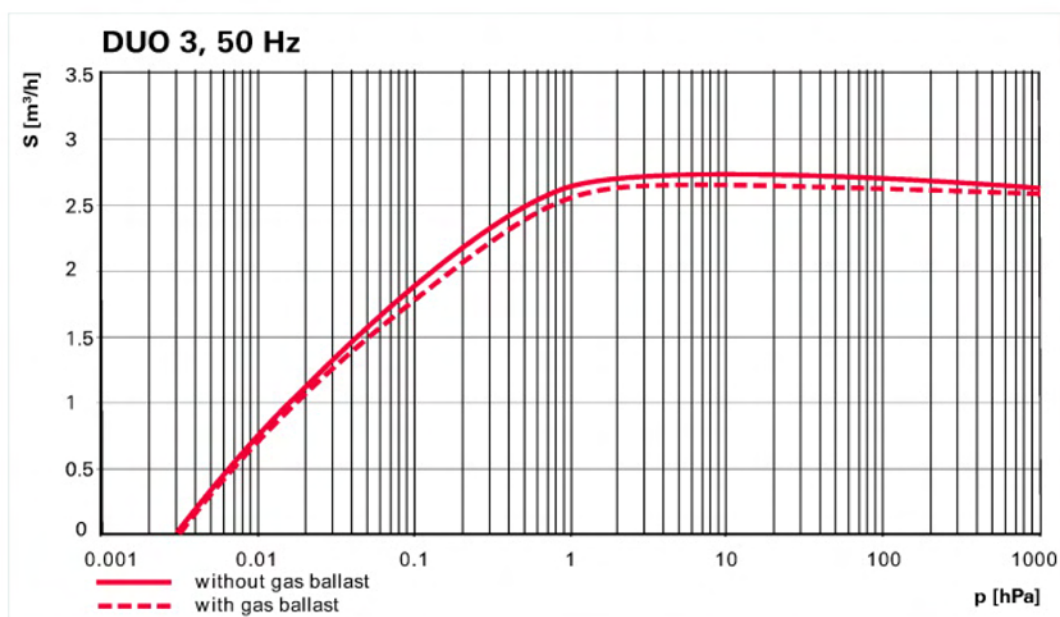
### Duo 3, 1-phase motor, 230-240 V, 50/60 Hz



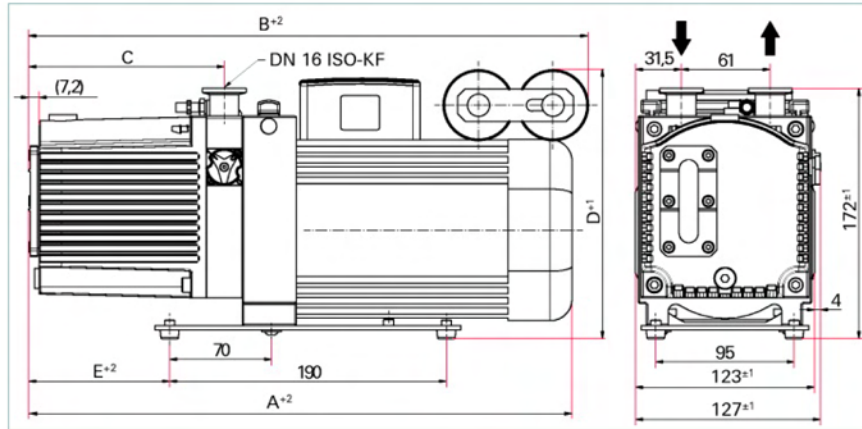
Similar Image

- Dual-stage, high-performance rotary vane pump with a pumping speed of 2.5 m<sup>3</sup>/h at 50 Hz / 2.9 m<sup>3</sup>/h at 60 Hz
- With single-phase motor with C14 connector plug inside the terminal box
- Integrated gas ballast and safety valve
- For all low and medium vacuum applications
- Optional with magnetic coupling
- Special feature: Various motor voltages for worldwide employment
- Other motor voltages available on request

M = Magnetically coupled



**Dimensions**



A	309 mm
B	309 mm
C	123 mm
D	176 mm
E	85.5 mm

Technical Data	Duo 3, 1-phase motor, 230-240 V, 50/60 Hz
Ambient temperature	12-40 °C   53.6-104 °F   285-313 K
Cooling method, standard	Air
Emission sound pressure level without gas ballast at 50 Hz	<= 53 dB (A)
Exhaust pressure, max.	1,500 hPa   1,125 Torr   1,500 mbar
Exhaust pressure, min.	250 hPa   187.5 Torr   250 mbar
Flange (in)	DN 16 ISO-KF
Flange (out)	DN 16 ISO-KF
Leak rate safety valve	<= 1 · 10 <sup>-5</sup> Pa m <sup>3</sup> /s   <= 7.5 · 10 <sup>-5</sup> Torr l/s   <= 1 · 10 <sup>-4</sup> mbar l/s
Mains cable	No
Mains requirement: voltage 50 Hz	230-240 V
Mains requirement: voltage 60 Hz	230-240 V
Operating fluid	P3
Operating fluid filling	0.4 l
Protection category	IP 40
Pumping speed at 50 Hz	2.5 m <sup>3</sup> /h
Pumping speed at 60 Hz	2.9 m <sup>3</sup> /h
Rated power 50 Hz	0.15 kW
Rated power 60 Hz	0.18 kW
Rotation speed at 50 Hz	3000 min <sup>-1</sup>
Rotation speed at 60 Hz	3600 min <sup>-1</sup>
Switch	yes
Ultimate pressure with gas ballast	3 · 10 <sup>-3</sup> hPa   2.25 · 10 <sup>-3</sup> Torr   3 · 10 <sup>-3</sup> mbar
Ultimate pressure without gas ballast	3 · 10 <sup>-3</sup> hPa   2.25 · 10 <sup>-3</sup> Torr   3 · 10 <sup>-3</sup> mbar
Weight	11.3 kg   24.91 lb

Typical ultimate pressure according to PNEUROP

Order number	
Duo 3/M	PK D57 712

<b>Accessories</b>	
<b>Accessories DuoLine™</b>	
Oil return unit from ONF 16 M to Duo 1.6, 3, 6, 11	PK 006 080 -T
Oil return unit from ONF 16 S to Duo 1.6 / Duo 3	PK 005 986 -T
<b>Accessories UnoLine</b>	
KAS 16, condensate separator for pumping speeds from 1.6 to 12 m³/h	PK Z10 003
Mains cable 115 / 230 V without plug, right angle IEC 320/C13 socket, 3 m	PK 050 111
Mains cable 115 V with NEMA-plug, right angle IEC 320/C13 socket, 2 m	PK 050 110
Mains cable 230 V with safety plug CEE 7, right angle IEC 320/C13 socket, 2 m	PK 050 109
ONF 16 M, oil mist filter for pumping speeds of up to 12 m³/h	PK Z40 003
ONF 16 S, oil mist filter for pumping speeds up to 12 m³/h	PK Z40 001
Operations monitoring unit 1 for Duo 1.6/3/6/11 and Duo 5/10/20 M	PK 196 157 -T
Operations monitoring unit 2 for Duo 1.6/3/6/11 and Duo 5/10/20 M	PK 196 142 -T
Operations monitoring unit 3 for Duo 1.6/3/6/11 and Duo 5/10/20 M	PK 196 141 -T
SAS 16, DN 16 ISO-KF, polyester filter	PK Z60 506
ZFO 16, zeolite trap	PK Z70 003
<b>Consumables</b>	
P3, mineral oil, 1 l	PK 001 106 -T
P3, mineral oil, 0.5 l	PK 001 136 -T

**Vacuum solutions  
from a single source**

Pfeiffer Vacuum stands for innovative and custom vacuum solutions worldwide, technological perfection, competent advice and reliable service.

**Complete range  
of products**

From a single component to complex systems:  
We are the only supplier of vacuum technology  
that provides a complete product portfolio.

**Competence in  
theory and practice**

Benefit from our know-how and our portfolio of training opportunities! We support you with your plant layout and provide first-class on-site service worldwide.

Are you looking for a  
perfect vacuum solution?  
Please contact us:



42 à 48 Bd de Polangis - BP 260  
94502 Champigny-sur-Marne - Cedex  
☎ 01 48 83 21 76 - 📠 01 48 83 51 01  
[info@cloup.fr](mailto:info@cloup.fr) [www.cloup.fr](http://www.cloup.fr)